

銀科工業的承諾

產品售後服務



所有經銀科工業售出的產品均享有一年產品質量保證，以及14天內退換保證（以出貨日期為準）

如在正常使用和正確安裝的情況下出現損壞，我們定會為您提供免費換貨

香港總公司:

銀科工業(香港)有限公司

香港荃灣沙咀道66A號豪力中心2108室
電話: (852) 2499 9168
傳真: (852) 2417 9183 8343 6887
電郵: sales@silvertech.com.hk
網址: www.silvertech.com.hk

東莞分公司:

東莞動力銀科工業配件有限公司

東莞市塘廈鎮橋龍大道23號銀科大樓
電話: (86-769) 8798 1699 8798 2699
8625 2718 (10線)
傳真: (86-769) 8798 1313 8625 2719
電郵: dgoffice@silvertech.com.hk

青島辦事處:

青島市市南區寧夏路268號商務樓B413室
電話: (86-532) 8575 5305
傳真: (86-532) 8571 5015
電郵: qdoffice@silvertech.com.hk

深圳工廠:

銀錕德傳動件制造(深圳)有限公司

成都工廠:

成都銀科同步帶輪制造有限公司

常州工廠:

常州銀科傳動件有限公司

Hong Kong Headquarters: (For Import & Export Sales)

Silvertech Industrial (H.K.) Ltd.

Rm.2108, Ho Lik Centre, 66A Sha Tsui Road, Tsuen Wan, Hong Kong.
Tel: (852) 2499 9168
Fax: (852) 2417 9183 8343 6887
Email: sales@silvertech.com.hk
Web Site: www.silvertech.com.hk

China Guangdong Branch Office: (For Domestic Sales)

Silvertech Industrial (Dong Guan) Ltd.

Silvertech Building, 23 Qiao Long Road, Tangxia, Dongguan, Guangdong, China.
Tel: (86-769) 8798 1699 8798 2699
8625 2718 (10Lines)
Fax: (86-769) 8798 1313 8625 2719
Email: dgoffice@silvertech.com.hk

China Qingdao Sales Office: (For Domestic Sales)

Rm.B413, No. 268, Ningxia Road, Qingdao, Shandong, China
Tel: (86-532) 8575 5305
Fax: (86-532) 8571 5015
Email: qdoffice@silvertech.com.hk

China Shen Zhen Factory:

Madler-Silvertech Power Transmission Components (Shen Zhen) Ltd.

China Cheng Du Factory:

Cheng Du Silvertech Timing Pulleys Manufacturing Ltd.

China Chang Zhou Factory:

Chang Zhou Silvertech Power Transmission Products Ltd.

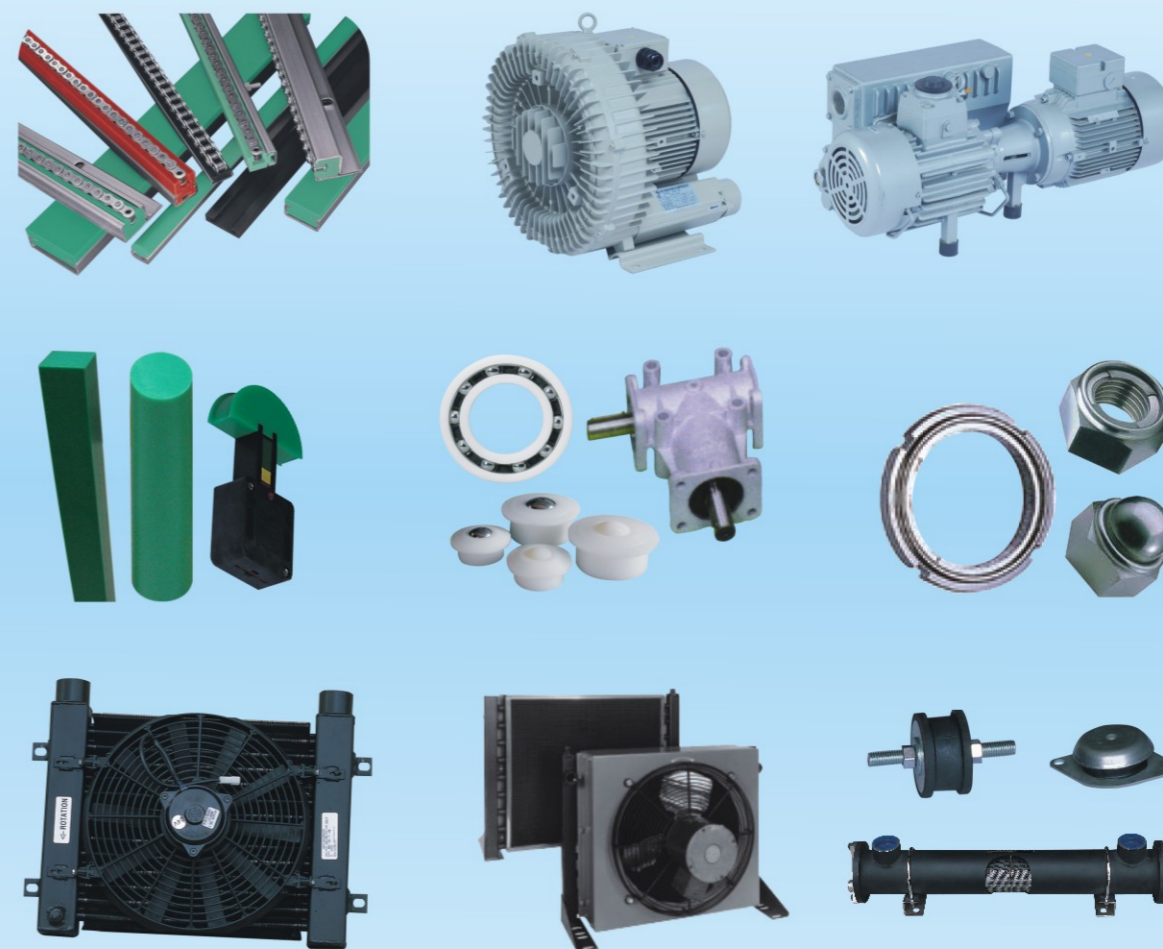
SILVERTECH 銀科工業

www.silvertech.com.hk

大中華總代理

STI

SILVERTECH 銀科工業



大中華總代理 Importer & Sole Distributor
www.silvertech.com.hk

服務投訴電話: (852) 2499 9168、(86) 138 2697 1737

選銀科工業 • 做最好機械
Your 1st choice for Industrial Products



公司簡介

銀科工業(香港)有限公司 – 成立於1992年，總部位於香港，分公司和工廠設於中國內地。公司的主要業務及經營範圍：生產 **STI** 品牌屬下的高質量工業傳動零部件，出口外銷至歐美及其它世界各國，同時也內銷至大中華地區。此外，我們還進口德國、瑞士、意大利、美國、日本和台灣等國家和地區的高科技工業產品，並且是這些世界級著名品牌的大中華區域總代理。

累積近乎二十年服務海外和大中華客戶的經驗，我們不斷的總結、不斷發展、不斷進步，因此而奠下了堅實的基礎，在海內外業界均享有優良的聲譽和知名度。銀科工業無論由：原材料採購 – 生產管理 – 質量控制 – 倉存量控制 – 銷售方式 – 技術支援 – 包裝付運 – 跟蹤到貨 – 售後服務等等，每一環節都務求做到盡善盡美，因為我們切身體會只有得到客戶的信賴才是公司發展的最大希望！

在系統化的在職培訓再加上員工對公司的歸屬感，大家分別工作於香港、東莞、深圳、青島、成都和常州，今天的銀科工業已擁有一支非常專業且盡責的團隊，為國內外工業界提供優質產品，為貼近客戶而盡我們所能！

“選銀科工業 做最好機械” 這不僅是我們的承諾，更是對客戶的責任。

About us

Silvertech Industrial (HK) Ltd was established in 1992, with its headquarter in Hong Kong, and branches as well as factories in mainland China. Our business focuses on the production of high quality power transmission parts under the brand **STI**.

Our products are very popular in the global markets, such as Europe, North American, and Greater China Area. In addition, we are the exclusive dealer in the Greater China Area for a few world-renowned high tech industrial products from Germany, Switzerland, Italy, USA, Japan and Taiwan.

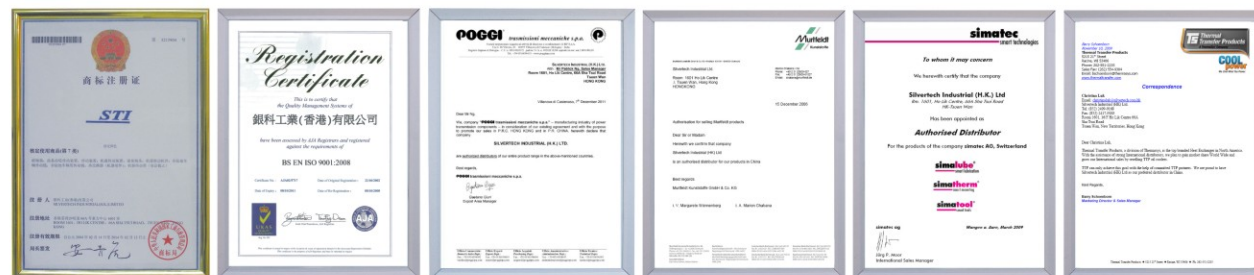
We are growing stronger with almost twenty years experience of serving clients in overseas and Greater China Area. Silvertech Industrial has well developed world reputation and brand loyalty. We aim to provide perfection in our value net, such as procurement of material, production management, quality control, stock and storage, marketing, technical support, logistics, and after sale service. It is our ultimate goal to maintain the trust from our clients and continue with sustainable growth.

Our company engages in systemic on the job training and invests in corporate human resource. We have developed an extremely competent and dedicated team working in Hong Kong, Dongguan, Shenzhen, Qingdao, Chengdu, and Changzhou. We are known as the company providing the best products and service for our customers.

Our promise: **Silvertech – Your 1st choice for Industrial Products**

We take this promise as our responsibility.

公司秉承“准時、準確、高質量為客戶服務”即二准一高的質量方針，將不斷總結和提高對客戶服務的質量。

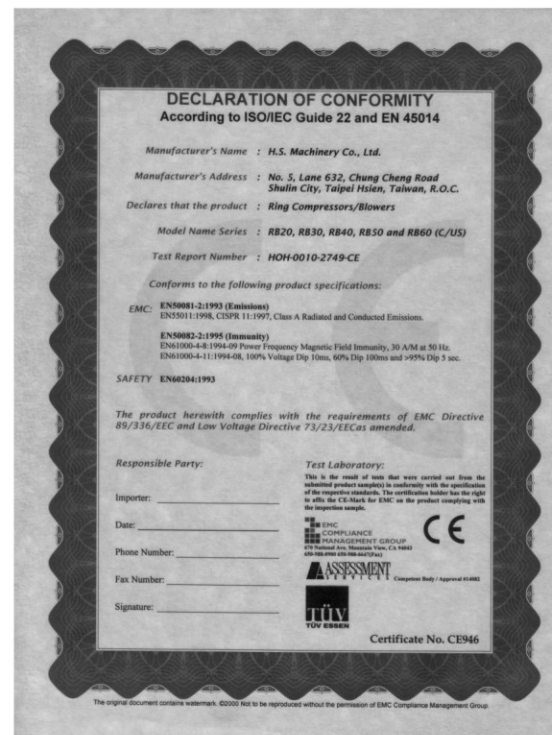


目錄 Directory

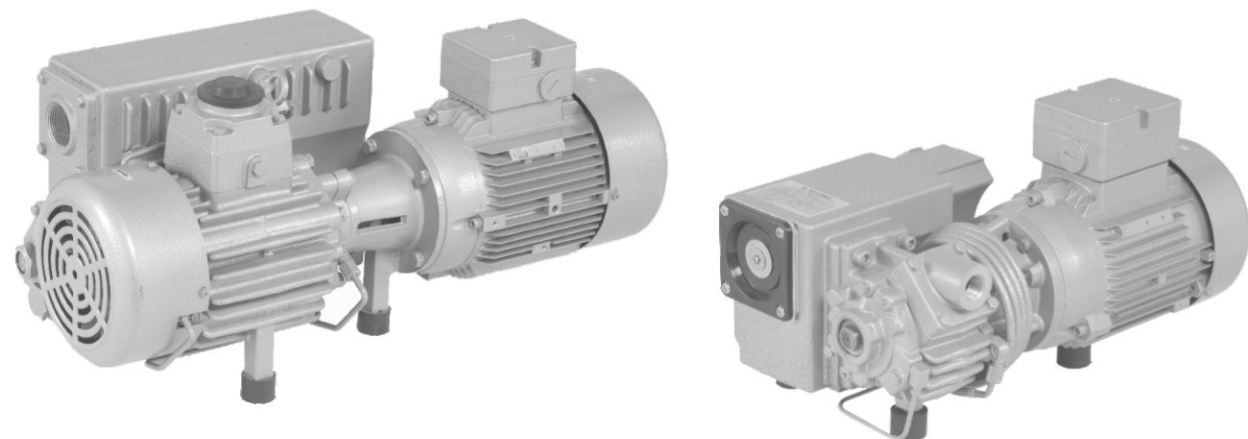
德國“梅富”牌高精度耐磨鏈條導軌.....	001-098
臺灣“賀欣”牌高壓吸送風機/真空泵.....	099-112
意大利“坡技”牌傘齒輪箱.....	113-146
德國“SMG”耐酸碱塑料軸承.....	147-157
日本“Fuji富士”防鬆鎖母.....	158-176
美國“熱傳導”油冷却器.....	177-197
臺灣“YS和STI”系列電馬達避震腳.....	198
東歐A/B系列電馬達避震腳.....	199
德國“雅高”牌神奇包裝機.....	200-201

香港和大陸內地總代理

HO HSING 賀欣牌 臺灣原產高壓吸送風機



HO HSING 賀欣牌 臺灣原產回油式真空泵



CSA INTERNATIONAL
Certificate of Compliance
Certificate: 1061705 Master Contract: 170573 (LR 41001)
Project: 1384820 Date Issued: March 21, 2003

PART B - Three Phase

Model No	Volts	30 Hz	60 Hz	50 Hz	60 Hz	Max Pressure (psi)
RR20-57U	208-240/416-480	1.4/1.7	1.2/0.6	0.85	1.3	-
-56U	208-240	1.4	1.2	-	-	-
-57U	416-480	0.7	0.6	-	-	-
RR30-53U	208-240/416-480	2.3/1.2	2/1	1.4	1.9	-
-56U	208-240	2.3	2	-	-	-
-57U	416-480	1.15	1	-	-	-
RR40-43U	208-240/416-480	5.9/3.65	4/2	2.03	1.96	-
-46U	208-240	5.9	4	-	-	-
-47U	416-480	2.95	2	-	-	-
-53U	208-240/416-480	4.7/2.4	4.8/2.4	2.6	2.6	-
-56U	208-240	4.7	4.8	-	-	-
-57U	416-480	2.4	2.4	-	-	-
-63U	208-240/416-480	6/3	5.8/2.9	2.9	3.35	-
-66U	208-240	6	5.8	-	-	-
-67U	416-480	3	2.9	-	-	-
RR50-53U	208-240/416-480	6.8/3	5.4/2.7	2.4	2.3	-
-56U	208-240	6	5.4	-	-	-
-57U	416-480	3	2.7	-	-	-
-63U	208-240/416-480	9/4.5	9/2.6	3.92	3.92	-
-66U	208-240	9	9.2	-	-	-
-67U	416-480	4.5	4.6	-	-	-
RR60-53U	208-240/416-480	9/4.5	9/4.5	3	2.9	-
-56U	208-240	9	9	-	-	-
-57U	416-480	4.5	4.5	-	-	-
-63U	208-240/416-480	10.5/5.2	10.5/5.2	3.3	3.3	-
-66U	208-240	10.5	10.5	-	-	-
-67U	416-480	5.2	5.2	-	-	-
-73U	208-240/416-480	11.6/5.8	11.6/5.8	4.35	4.78	-
-76U	208-240	11.6	16	-	-	-
-77U	416-480	5.8	8	-	-	-

Notes:
1. Certified as components of various electrical equipment where the suitability of combination will be determined in the final application.
2. The motor has protection systems that are dependent upon external circuitry. Therefore, the ability of the protection systems to suitably protect the motor were not evaluated in this application and shall be evaluated in the end product where the complete protection circuitry is in place.

APPLICABLE REQUIREMENTS:
CSA Std C22.2 No. 68-1992 - Motor-Operated Appliances
UL Std No. 73 - Motor-Operated Appliances

CSA INTERNATIONAL
Certificate of Compliance
Certificate: 1061705 Master Contract: 170573 (LR 41001)
Project: 1384820 Date Issued: March 21, 2003

Issued to: H. S. Machinery Co., Ltd.
No. 5, Lane 632, Chung Chen Rd.,
Shulin City,
Taipei Hsien, Taiwan

The products listed below are eligible to bear the CSA Mark shown, with adjacent indicator "C" and "US".

Authorized by: _____
Director, Far East Operations

PRODUCTS
CLASS 9091-01 - MISCELLANEOUS
CLASS 9091-01 - MISCELLANEOUS - Certified to US Standards

Ring compressor/blower or vacuum fan, 50/60 Hz, for use in miscellaneous commercial applications.

PART A - Single Phase

Model No	Volts	50 Hz	60 Hz	50 Hz	60 Hz	Max Pressure (psi)
RR20-51U	108-120/216-240	2.4/1.2	2.1/1.6	1	1.3	-
-54U	108-120	2.4	3	-	-	-
-55U	216-240	1.2	1.6	-	-	-
RR30-51U	108-120/216-240	3.4/1.7	4.5/2.3	1.28	1.5	-
-54U	108-120	3.4	4.5	-	-	-
-55U	216-240	1.7	2.3	-	-	-
RR40-51U	108-120/216-240	12/6	10/7.5/3	2.0	2.3	-
-54U	108-120	12	10/7.5	-	-	-
-55U	216-240	6	5.3	-	-	-
-63U	108-120/216-240	14.5/7.25	16.6/8.3	2.76	2.61	-
-64U	108-120	14.5	16.6	2.76	2.61	-
-65U	216-240	7.25	8.3	2.76	2.61	-
RR50-51U	108-120/216-240	20/10	20/10	2.1	2.4	-
-54U	108-120	20	20	-	-	-
-55U	216-240	10	10	-	-	-

The "C" and "US" indicators adjacent to the CSA Mark signify that the product has been evaluated to the applicable CSA and ANSI/UL Standards. For use in Canada and the U.S. respectively. The "C" and "US" indicate product eligibility to bear the "NRTL" (Notified) Certification. NRTL is a certification program administered by the U.S. Occupational Safety and Health Administration (OSHA) and the U.S. Department of Commerce (DOC) and is recognized by the U.S. Department of Commerce.

增壓原理與應用

如圖所示，當空氣流入鼓風機的增壓室後，空氣分子將被輻射狀渦輪葉片所形成的隔腔旋轉推進，離心力促使空氣分子在回旋運動中不斷增壓，而在吐出口產生極大空氣壓力。

渦輪葉片在增壓室中完全無接觸旋轉，不會產生磨損，也無需加油，保養維護十分容易。利用本裝置在吸入于吐出間產生高壓差的特性，可泛用于各種需要吸風、送風、烘幹、微粒輸送、水中供氣、真空吸附...等廣泛用途，例如：塑膠粒混合下料機、紡織機、織襪機、印刷機、電路板制程、工業集成裝置、養殖池、水療池、牙醫座椅、文件分類及傳遞裝置、真空懸吊裝置、包裝機...等不勝枚舉。

Operating Principle and Application

The aspirated gas flows through the compression chamber along a helical trajectory and is repeatedly accelerated by the centrifugal thrust of the impeller.

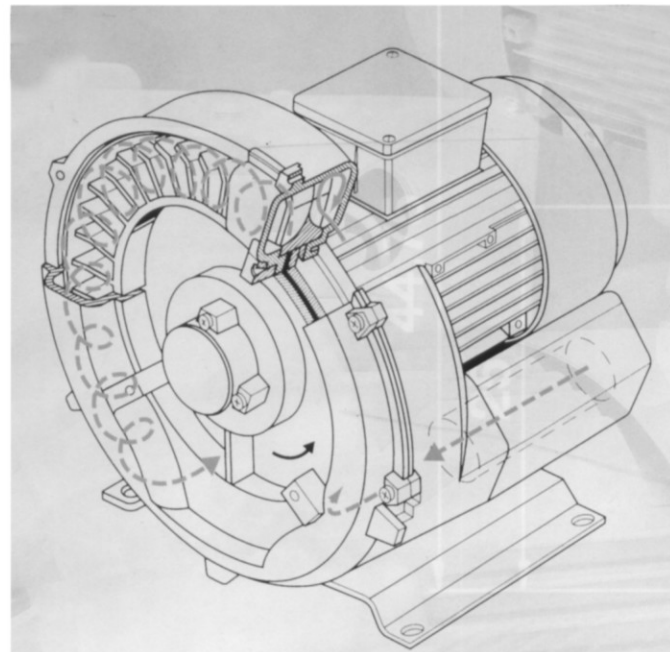
Consequently, higher pressure will be obtained at the discharge slot.

The impeller mounted directly on the motor shaft is rotating smoothly without friction and thus no lubrication is necessary. The pressure difference of course remains steady.

The Side Channel Blowers are widely used on :Pneumatic conveying systems / Textile machines / Printing machines / PCB process / Dust collection / Fish ponds / SPA/Dental suction devices/Paper sorting and delivery / Lifting and holding / Packaging machines.

品質特性與使用

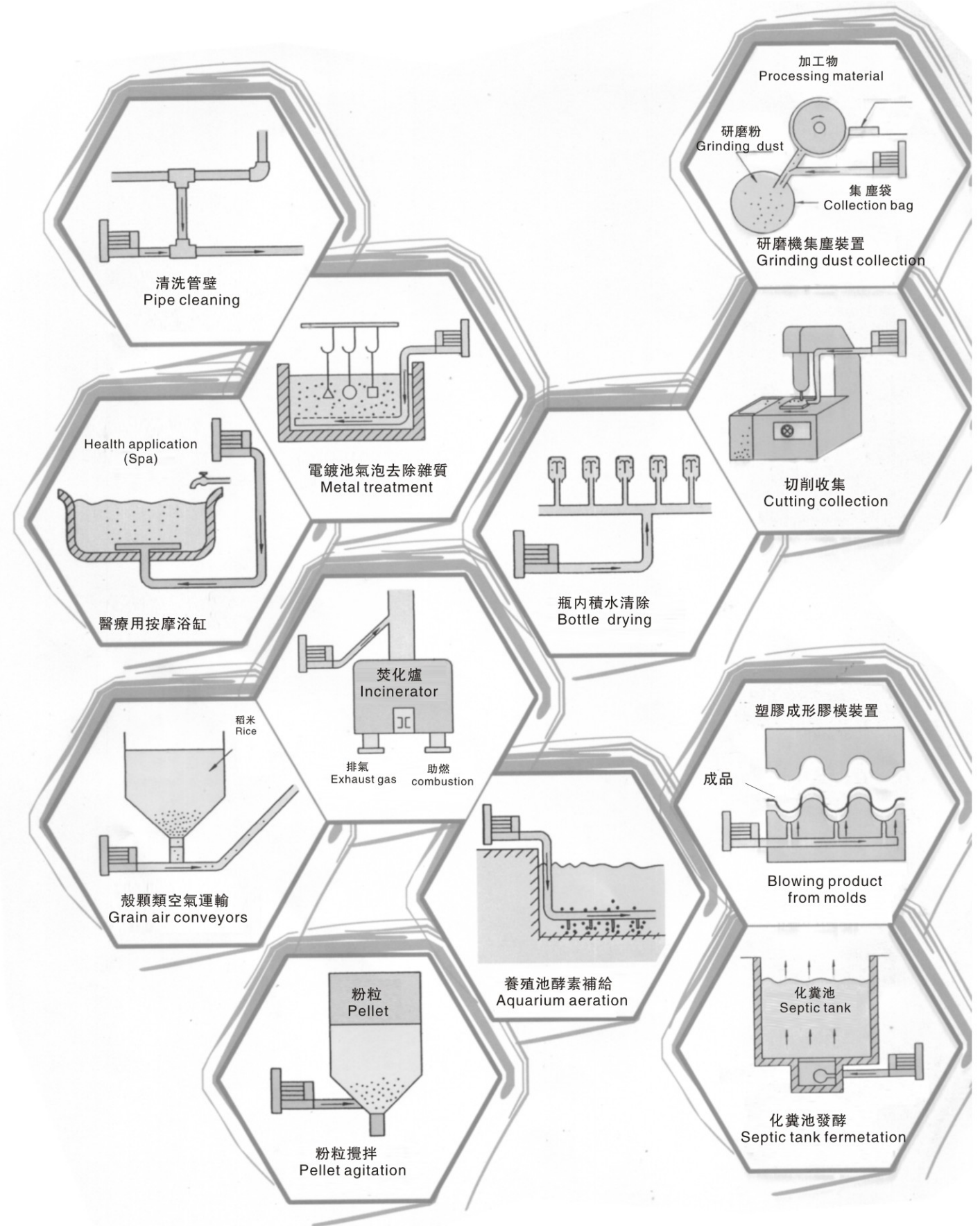
- 機殼(RB80 除外) 與渦輪葉片均由鋁合金制成，兼顧機械強度、耐久性、輕量化與絢麗外觀之多重優質特長。
- RB系列鼓風機完全依照IEC/UL/CSA安全規範設計，并取得國際公證機構之型式認證，對使用者人身安全有絕對保障。
- 歐體安規：89/336, 73/23, EN60204-1, EN5008-2, EN50082-2
- 保護等級：IP54/IP55
- 絕緣等級：F (155°C)
- 適用電壓：單相 100 ~ 120 / 200 ~ 240 VOLT
單相 108 ~ 120 / 216 ~ 240 CSA/UL
三相 200 ~ 240 / 380 ~ 440 VOLT
三相 208 ~ 240 / 416 ~ 480 VOLT CSA/UL
- 使用頻率：50 / 60 Hz
- 安裝方式：RB系列鼓風機可以配合設備于場地需要，以任何方式安裝 (RB20, RB30 除外)。



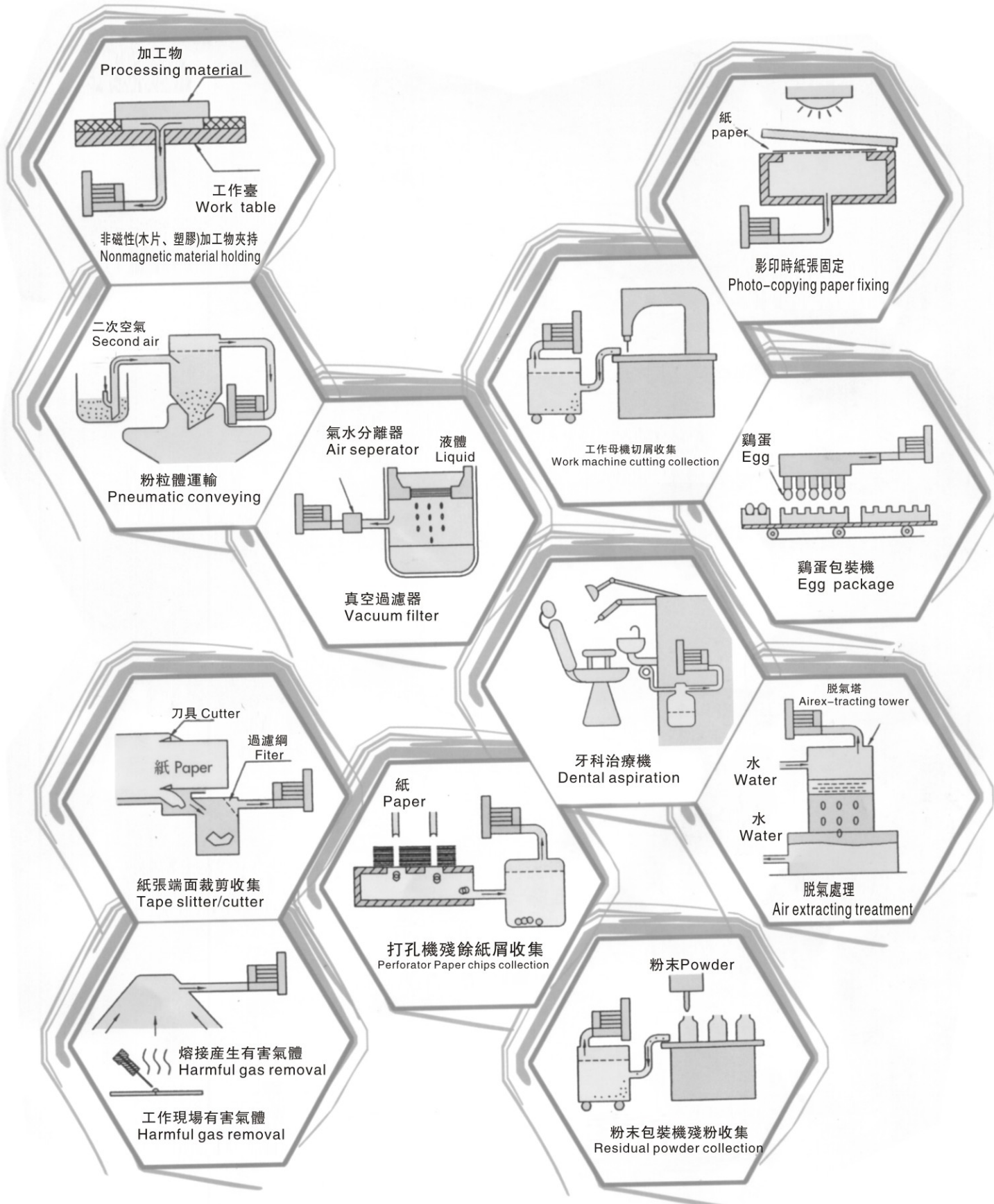
Features and Advantages

- Casing(except RB80) and impellers are made of aluminum alloy and have excellent features on mechanic strength, durability, light weight and smooth exterior.
- RB series Side Channel Blowers are designed to comply with the safety requirements of IEC / UL / CSA and have attained their Type Approval.
- Meet CE Norm:89/336,73/23,EN60204-1,EN50081-2,EN50082-2.
- Degree of protection:IP54/IP55
- Insulation class:F(155°C)
- Voltage range: 1 Phase,100~120 / 200~240 VOLT
1 Phase,108~120 / 216~240 CSA/UL
3 Phase,200~240 / 380~440 VOLT
3 Phase,208~240 / 416~480 VOLT CSA/UL
- Frequency: 50 / 60 Hz
- Installation: Any aspect. (except RB20,30)

正壓應用場合範例



負壓應用場合範例



規格與操作特性圖

吐出壓/(50Hz)Blowers with 50 Hz

Phase	Voltage 工作電壓	Model 型號	Hz 頻率	Rated Output 功率 KW	Rated Current 額定電流 Amps	Max. Pressure 最大風壓 mbar	Max. Airflow 最大風量 m³/h	Noise* Level 噪音 dB(A)
Single 單相	100-120 / 200-240	RB20-510	50	0.22	2.2 ~ 2.3 / 1.15 ~ 1.18	+65	52	64
		RB30-510		0.38	3.7 ~ 3.6 / 1.81 ~ 1.79	+100	75	69
		RB40-510		0.80	11.5 ~ 12.5 / 5.8 ~ 6.4	+160	144	
		RB40-610		1.10	15 ~ 14.6 / 7.5 ~ 7.4	+190	210	72
		RB50-510		1.50	20 ~ 17.7 / 9.5 ~ 8.9	+200		
Three 三相 △-Y	200-240 / 380-440	RB20-520		0.22	0.75 ~ 0.84 / 0.44 ~ 0.51	+65	52	64
		RB30-520		0.38	1.72 ~ 2.41 / 1.1 ~ 1.56	+100	75	69
		RB40-420		0.76	3.6 ~ 4.85 / 2.2 ~ 3.23	+140	144	
		RB40-520		0.90	4.3 ~ 4.8 / 2.53 ~ 3.25	+180		210
		RB40-620		1.10	4.8 ~ 5.53 / 2.8 ~ 3.7	+200		
		RB50-520		1.50	7.44 ~ 8.76 / 4.36 ~ 6	+220	306	76
		RB50-620		2.20	8.67 ~ 9.45 / 4.95 ~ 6.24	+270		
		RB60-520		2.20	10.8 ~ 10.9 / 5.8 ~ 6.7	+220	510	73
		RB60-620		3.00	13.1 ~ 13.6 / 7.3 ~ 8.5	+280		
		RB60-720		4.00	14.7 ~ 14.8 / 8.2 ~ 9	+340	17.3 ~ 16.5 / 10 ~ 9.3	+230
	200-240 / 345-416	RB80-4B0	4.00	21.8 ~ 21.7 / 12.6 ~ 12.3	+300			
	RB80-5B0	5.50	28.1 ~ 30.9 / 16.0 ~ 17.4	+400				
	RB80-6B0	7.50						

吸入壓/(50Hz)Vacuum with 50 Hz

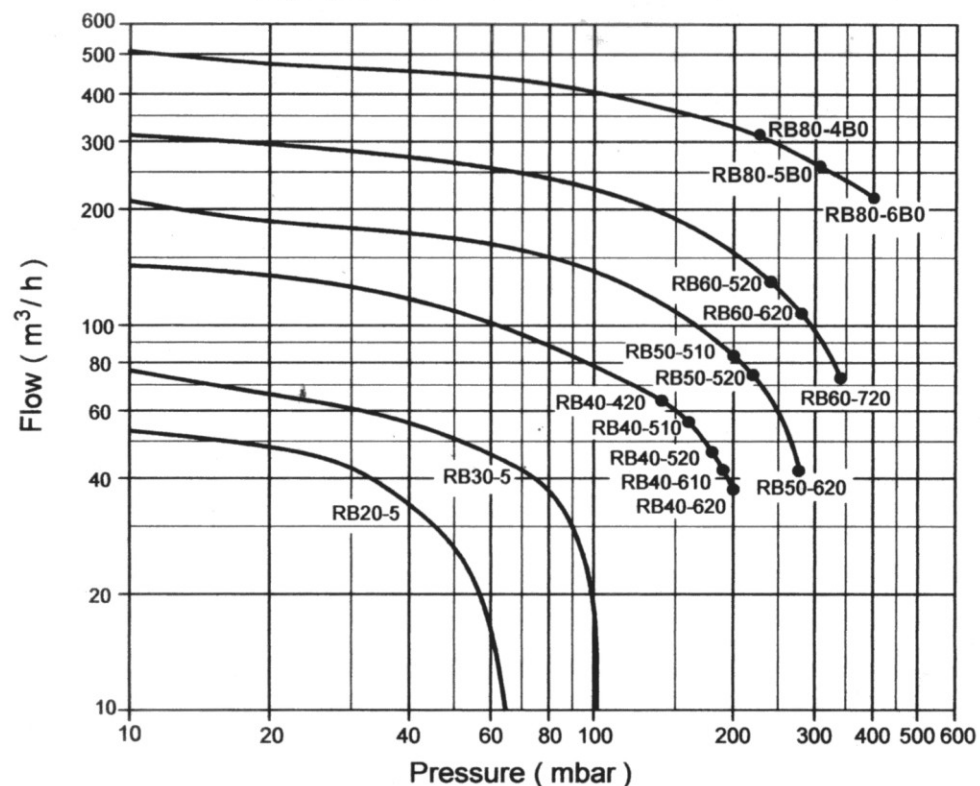
Phase	Voltage 工作電壓	Model 型號	Hz 頻率	Rated Output 功率 KW	Rated Current 額定電流 Amps	Max. Pressure 最大風壓 mbar	Max. Airflow 最大風量 m³/h	Noise* Level 噪音 dB(A)
Single 單相	100-120 / 200-240	RB20-510	50	0.22	2.19 ~ 2.27 / 1.13 ~ 1.17	-60	58	64
		RB30-510		0.38	3.54 ~ 3.48 / 1.79 ~ 1.74	-92	74	69
		RB40-510		0.80	11.97 ~ 12.68 / 5.98 ~ 6.42	-150	144	
		RB40-610		1.10	13.52 ~ 13.97 / 6.7 ~ 7.07	-170	200	72
		RB50-510		1.50	17.7 ~ 16.7 / 8.5 ~ 8.6	-185		
Three 三相 △-Y	200-240 / 380-440	RB20-520		0.22	0.76 ~ 0.84 / 0.43 ~ 0.51	-60	58	64
		RB30-520		0.38	1.72 ~ 2.42 / 1.12 ~ 1.59	-92	74	69
		RB40-420		0.76	3.51 ~ 4.78 / 2.13 ~ 3.18	-140	144	
		RB40-520		0.90	4 ~ 4.66 / 2.4 ~ 3.2	-170		210
		RB40-620		1.10	4.5 ~ 5.35 / 2.65 ~ 3.6	-180		
		RB50-520		1.50	6.72 ~ 8.52 / 4.07 ~ 5.94	-210	306	76
		RB50-620		2.20	7.08 ~ 8.79 / 4.2 ~ 6.06	-220		
		RB60-520		2.20	10.1 ~ 10.5 / 5.5 ~ 6.5	-230	510	73
		RB60-620		3.00	11.1 ~ 12.4 / 6.3 ~ 8	-250		
		RB60-720		4.00	11.5 ~ 12.5 / 6.7 ~ 8.1	-270	17.1 ~ 16.3 / 10 ~ 9.2	-240
	200-240 / 345-416	RB80-4B0	4.00	18.8 ~ 19.8 / 10.8 ~ 11	-270			
	RB80-5B0	5.50	18 ~ 26.5 / 11.8 ~ 14.9	-300				
	RB80-6B0	7.50						

RB60-598 1 φ 230V 50Hz available
For CSA/UL Type please contact directly

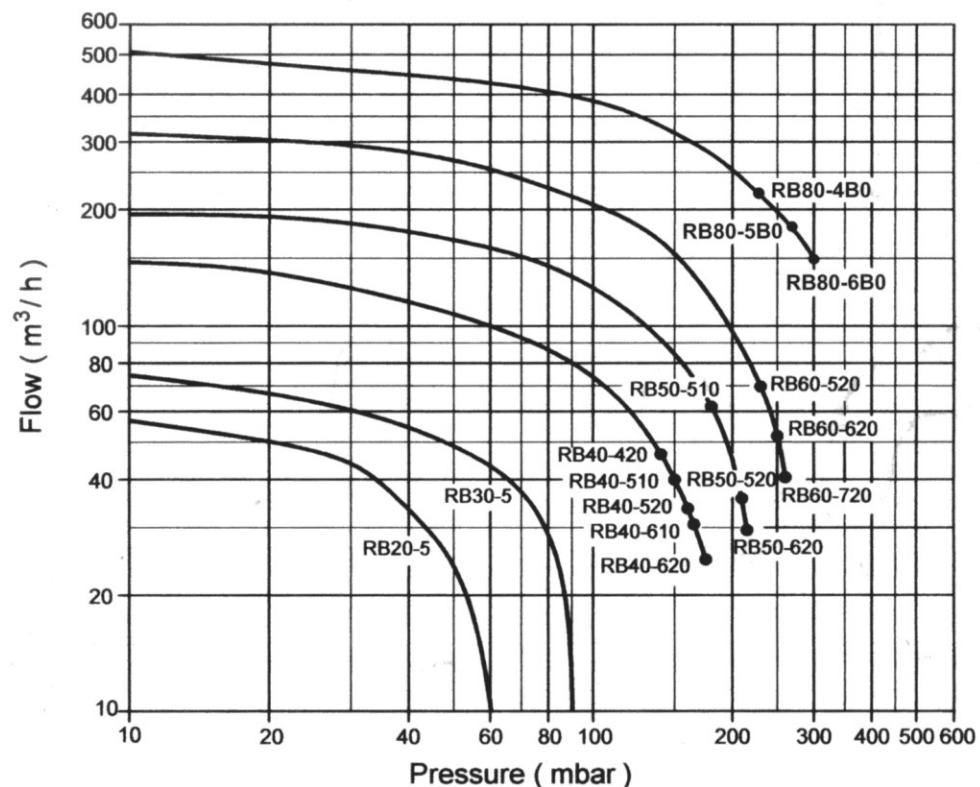
*注記:吸入/吐出口全開, 距離1公尺4點平均值1噪音
*note:Blower/Vacuum open/
1 meter distance test 4 points.

規格與操作特性圖

吐出壓 (50Hz) / Blower with 50Hz



吸入壓 (50Hz) / Vacuum with 50Hz



“●”代表該型號產品之可連續使用範圍
Continuous operation permitted

規格與操作特性圖

吐出壓 / (60Hz) Blowers with 60 Hz

Phase	Voltage 工作電壓	Model 型號	Hz 頻率	Rated Output 功率 KW	Rated Current 額定電流 Amps	Max. Pressure 最大風壓 mbar	Max. Airflow 最大風量 m3/h	Noise* Level 噪音 dB(A)
Single 單相	100-120 / 200-240	RB20-510	60	0.28	3.4 ~ 3/1.73 ~ 1.6	+85	66	65
		RB30-510		0.42	5.5 ~ 4.7/2.8 ~ 2.36	+140	96	68
		RB40-510		0.90	16.4 ~ 12.8/8.2 ~ 6.5	+160	180	72
		RB40-610		1.30	17.7 ~ 13.9/8.7 ~ 7	+210	250	73
		RB50-510		1.75	22.3 ~ 17.3/10.7 ~ 8.3	+170	250	73
Three 三相 △-Y	200-240 / 380-440	RB20-520		0.28	1.0 ~ 0.93/0.55 ~ 0.53	+85	66	65
		RB30-520		0.42	1.93 ~ 1.93/1.08 ~ 1.18	+140	96	68
		RB40420		0.93	4.1 ~ 3.64/2.1 ~ 2.44	+135	180	72
		RB40-520		1.15	5 ~ 4.45/2.63 ~ 2.53	+180	180	72
		RB40-620		1.50	6.2 ~ 5.3/3.3 ~ 3.1	+230	250	73
		RB50-520		1.75	8.2 ~ 7.3/4.38 ~ 4.27	+200	250	73
		RB50-620		2.55	10 ~ 8.8/5.3 ~ 4.84	+270	370	78
		RB60-520		2.55	11.7 ~ 10.3/6.4 ~ 6	+200	370	78
		RB60-620		3.45	15.7 ~ 13.4/8 ~ 7.4	+270	370	78
		RB60-720		4.60	18.7 ~ 15.4/9.5 ~ 8.6	+330	600	79
	208-275 / 380-480	RB80-4B0	4.60	22.8 ~ 17.8/12.4 ~ 10.0	+230	600	79	
		RB80-5B0	6.30	26.1 ~ 21.8/14.1 ~ 12.4	+280	600	79	
		RB80-6B0	8.60	36.4 ~ 32.6/20.5 ~ 18.8	+450	600	79	

吸入壓 / (60Hz) Vacuum with 60 Hz

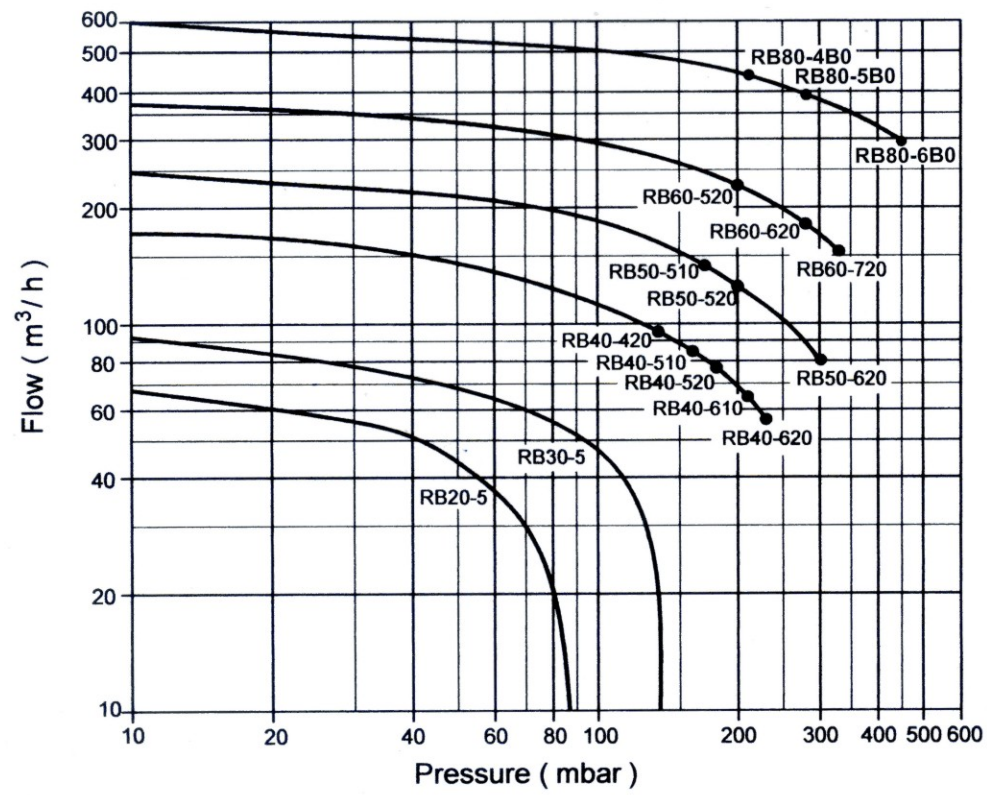
Phase	Voltage 工作電壓	Model 型號	Hz 頻率	Rated Output 功率 KW	Rated Current 額定電流 Amps	Max. Pressure 最大風壓 mbar	Max. Airflow 最大風量 m3/h	Noise* Level 噪音 dB(A)
Single 單相	100-120 / 200-240	RB20-510	60	0.28	3.23 ~ 2.97/1.68 ~ 1.58	-78	66	65
		RB30-510		0.42	5.1 ~ 4.34/2.58 ~ 2.21	-125	90	68
		RB40-510		0.90	15.81 ~ 12.35/7.69 ~ 6.28	-160	170	72
		RB40-610		1.30	17.41 ~ 13.6/8.42 ~ 6.84	-190	230	73
		RB50-510		1.75	22.4 ~ 17.4/10.3 ~ 8.3	-180	230	73
Three 三相 △-Y	200-240 / 380-440	RB20-520		0.28	1.0 ~ 0.9/0.53 ~ 0.52	-78	66	65
		RB30-520		0.42	1.83 ~ 1.95/1.06 ~ 1.17	-125	90	68
		RB40420		0.93	3.97 ~ 3.53/2.08 ~ 2.11	-135	170	72
		RB40-520		1.15	4.75 ~ 4.31/2.61 ~ 2.55	-180	170	72
		RB40-620		1.50	5.66 ~ 5/3 ~ 2.91	-210	230	73
		RB50-520		1.75	7.4 ~ 6.77/4 ~ 3.99	-200	230	73
		RB50-620		2.55	8.55 ~ 7.7/4.6 ~ 4.45	-240	370	78
		RB60-520		2.55	11.6 ~ 9.9/6 ~ 5.6	-220	370	78
		RB60-620		3.45	13.7 ~ 12/7.1 ~ 6.7	-270	600	79
		RB60-720		4.60	15.9 ~ 13.3/8.2 ~ 7.6	-320	600	79
	208-275 / 380-480	RB80-4B0	4.60	22.8 ~ 17.6/12.5 ~ 10.1	-250	600	79	
		RB80-5B0	6.30	25.4 ~ 21.7/13.7 ~ 12.3	-310	600	79	
		RB80-6B0	8.60	32.5 ~ 30.8/17.0 ~ 17.5	-350	600	79	

RB60-598 3 φ 575V ,400/690V 50Hz available
For CSA/UL Type please contact directly

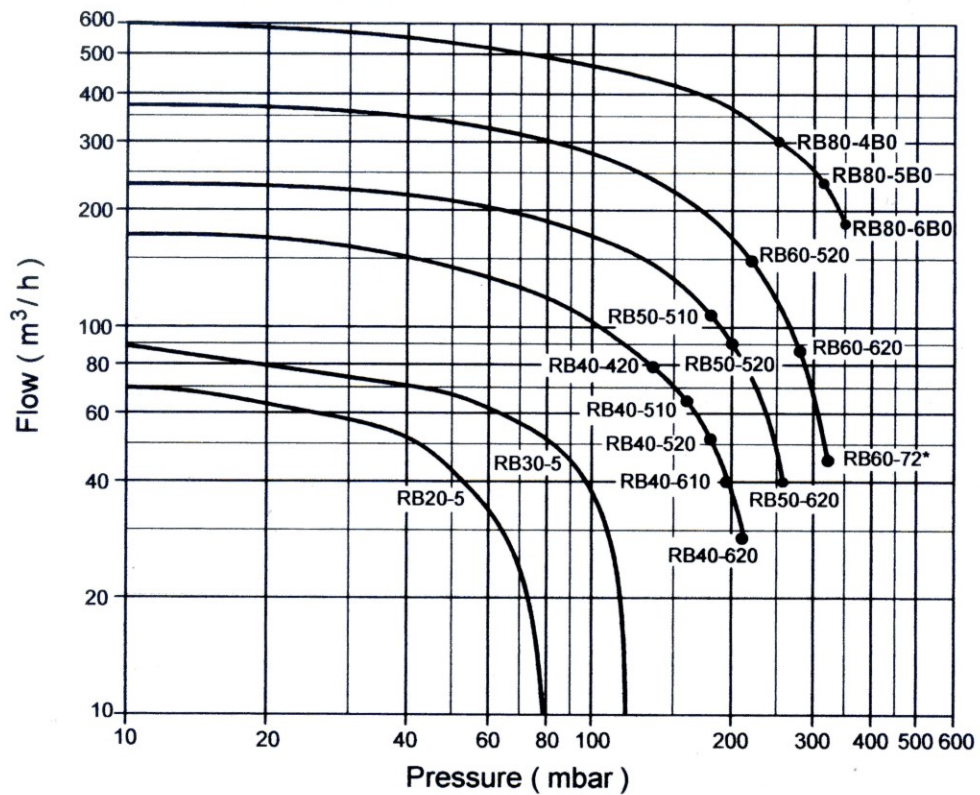
*注記:吸入/吐出口全開, 距離1公尺4點平均值1噪音
*note:Blower/Vacuum open/
1 meter distance test 4 points.

規格與操作特性圖

吐出壓 (60Hz) / Blower with 60Hz



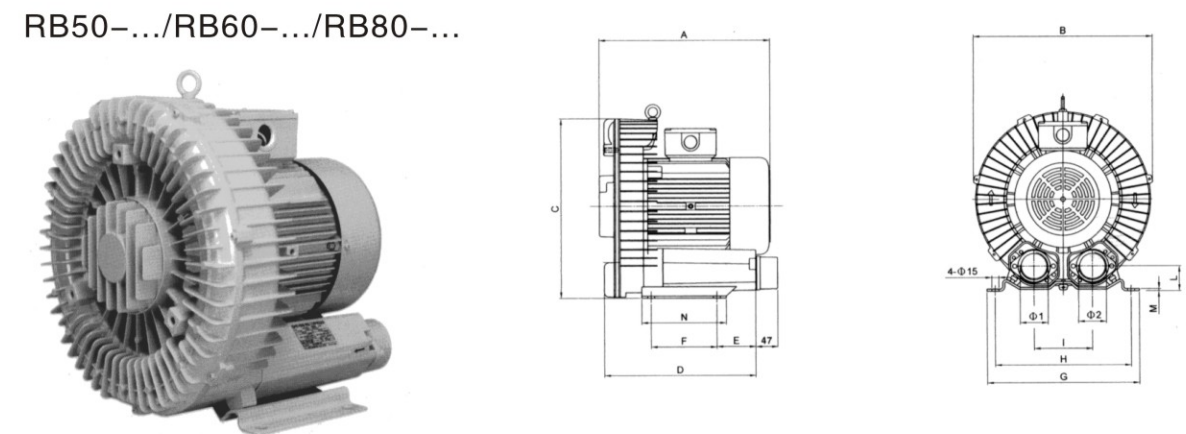
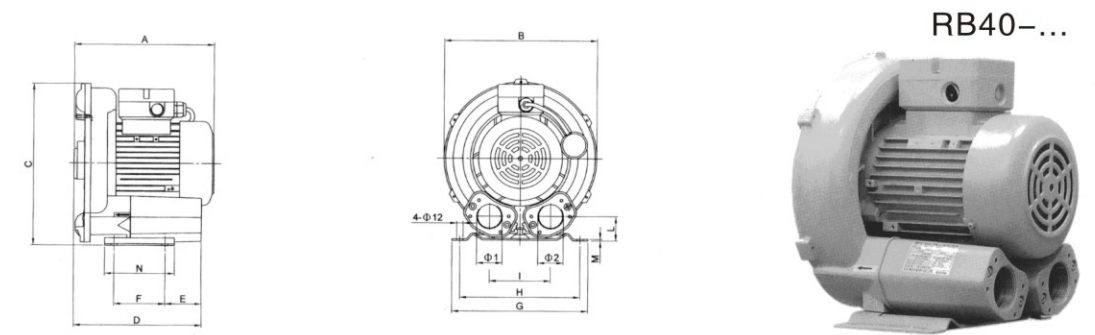
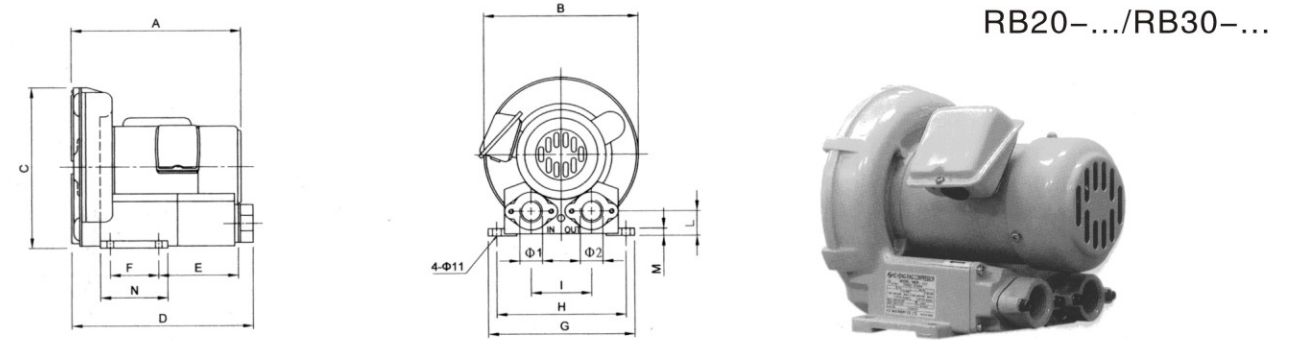
吸入壓 (60Hz) / Vacuum with 60Hz



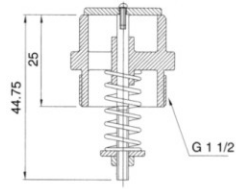
“●”代表該型號產品之可連續使用範圍
Continuous operation permitted

尺寸圖

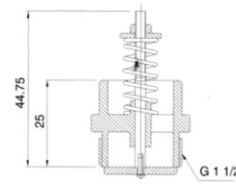
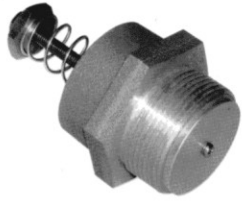
Model 機型	A	B	C	D	E	F	G	H	I	L	M	N	入口徑 Φ1	出口徑 Φ2	淨重 Weight kgs
RB20-5..	255	288	238	240	87	76	212	190	90	34	12	100	G1"	G1"	10.0
RB30-5..	256	250	257	279	117	83	230	205	100	38	12	110	G1 1/4"	G1 1/4"	13.0
RB40-4..	261	286	303	238	68	95	255	225	115	46	3	130	G1 1/2"	G1 1/2"	15.5
RB40-5..															16.0
RB40-6..															18.2
RB50-5..	317	333	345	389	143	115	296	260	120	48	4	155	G 2"	G 2"	23.5
RB50-6..															26.0
RB60-5..															36.0
RB60-6..	364	382	383	426	129	140	325	290	125	53	4.5	180	G 2"	G 2"	37.3
RB60-7..															41.5
RB80-4..	479	466	498	477	179	280	420	365	145	81	24	318	G 2 1/2"	G 2 1/2"	117.0
RB80-5..															120.0
RB80-6..															123.0



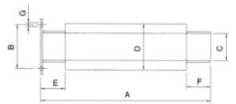
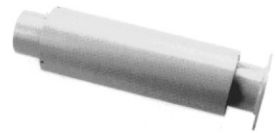
選配附件



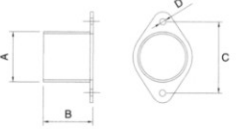
吐出用洩压阀/Pressur relief valve for blowers		
型号 Type	适用机型 Machine	Wt. kg
PR1	For RB40/RB50/RB60	0.4



吸入用洩压阀/Vavuun relief valve for blowers		
型号 Type	适用机型 Machine	Wt. kg
VR1	For RB40/RB50/RB60	0.4



消音管/Additional silencer									
Type 型號	Machine 適用機型	A	B	C	D	E	F	G	Wt. kg
AS1	RB20-/30-	260	55-64	38	60	40	40	6.5	0.85
AS2	RB40-	280	72	50	76	40	40	6.5	1.01
AS3	RB50-/60-	280	82.5	60	89	40	40	9	1.4



平面管/Hose Flang						
Type 型號	Machine 適用機型	A	B	C	D	Wt. kg
HF 1	RB20-/30-	38.1	50	55-64	6.5	0.17
HF 2	RB40-	50.8	50	72	6.5	0.2
HF 3	RB50-/60-	60	50	82.5	9	0.24

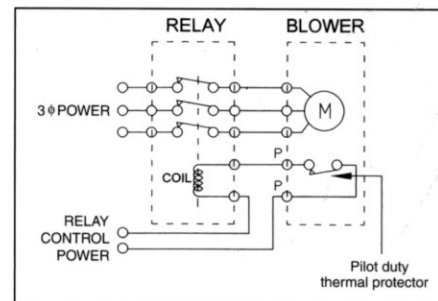
Thermal Protection

If this is needed, the following conditions must be considered.

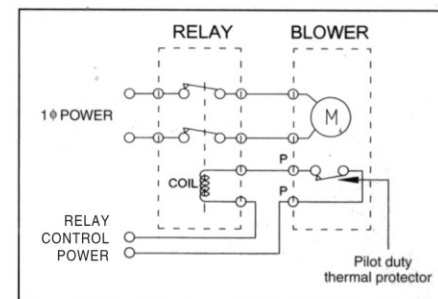
Pilot duty thermal protection:

- For all RB-20/RB-30/RB-40/RB50-/RB60-series.
- The thermal switch must be connected in series with a magnetic contactor coil.
- The magnetic contactor must be reset manually.

Recommended protector connection (3 φ)



Recommended protector connection (1 φ)



回油式真空泵浦

CP系列真空泵浦系由一精密鑄造與加工機件構成的泵浦本體，與一直接連動之高起動扭力感應電動機組合而成，其低成本高效率之優越性，在中度真空之需用場合，可稱無與倫比：

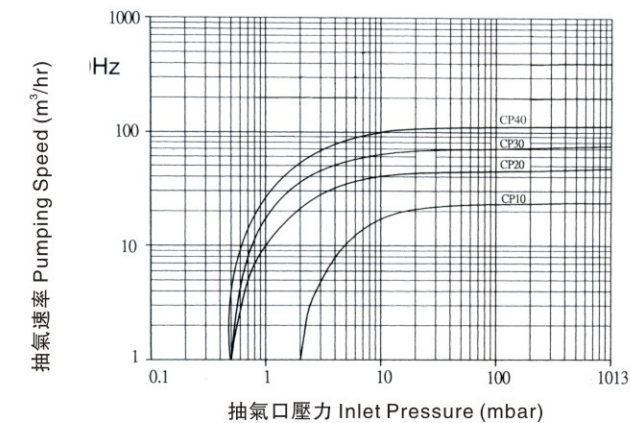
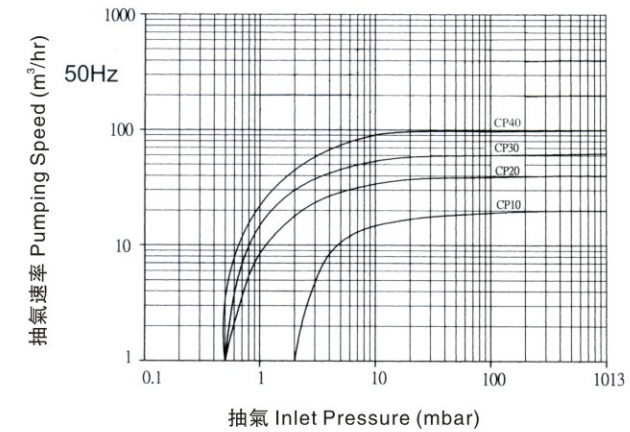
- 精實而簡單的結構設計使安裝快速、維護保養容易
- 直接傳動，免除皮帶、齒輪等間接傳動元件的損耗和故障
- 特殊設計之多層次濾油裝置，確保最低量的油汽外泄（0.1%以下）
- 高效能感應電動機，祇需空氣自然冷卻
- 高精準的元件加工，確保了平穩、超靜肅的運轉特性
- 本裝置廣泛用於：食品處理、包裝、醫院、熱成型橡膠機械、印刷機、電路板測試、真空搬運。……等等

品質特性與應用 Features and Applications

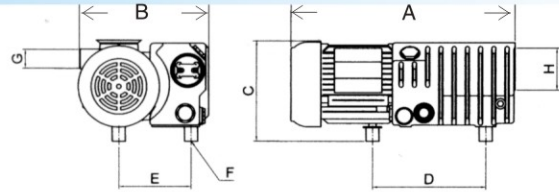
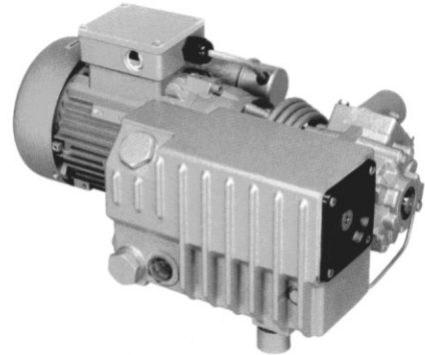
They compose a precision made pump and direct driving Induction Motor with high starting torque. Lowest cost and excellent performance contributes to the best choice for lots of applications that need middle vacuum.

- Structure is designed for easy installation and maintenance.
- Multi stage filtration system ensures minimum leakage(less0.1%)of lubrication oil.
- The pumps are driven by high efficiency induction motor with nature air cooling system only and required no liquid.
- All components are processed under strict quality control. This enables a quiet rotation and fast pumping speed.
- The pumps are widely used in food processing, packaging, hospital, thermoforming, printing, PCB testing, vacuum handling.

特性曲綫/Specification And Performance



尺寸圖/Dimensions



Model 機型	A	B	C	D	E	F	G (吸入)	H (排氣)
CP10 1Φ	431	249	200	237	147	3-M8	PF1	Φ70
CP10 3Φ								
CP20	636	310	247	240	180	3-M8	PF1-1/4	PF1-1/4
CP30	646	406	325	295	286	4-M8	PF1-1/4	PF1-1/4
CP40	706.5	406	325	216.5	286	4-M8	PF1-1/4	PF1-1/4

吸入壓/ (50Hz) Vacuum with 50 Hz

Phase	Voltage 工作電壓	Model 機型	Hz	Rated Output 功率 KW	Rated Current 額定電流 Amps	Ultimate Pressure 極限壓力 mbar	Nominal Capacity 最大風量 m ³ /h	Noise Level 噪音 dB(A)				
Single 單相	100-120 / 200-240	CP10-410	50	0.76	11.3/5.7	20	20	72				
		CP10-510				2.0						
	200-240	CP10-450				20						
		CP10-550				2.0						
Three 三相 Δ-Y	200-240 / 380-440	CP10-420			50	1.10			2.4/1.4	20	40	70
		CP10-520								2		
		CP20-420							0.5	63		
		CP20-620										
		CP30-620	20									
		CP40-620										
CP40-420	3.00	9.5-10/5.4-6.2	20	100	74							
CP40-620			0.5									

吸入壓/ (60Hz) Vacuum with 60 Hz

Phase	Voltage 工作電壓	Model 機型	Hz	Rated Output 功率 KW	Rated Current 額定電流 Amps	Ultimate Pressure 極限壓力 mbar	Nominal Capacity 最大風量 m ³ /h	Noise Level 噪音 dB(A)				
Single 單相	100-120 / 200-240	CP10-410	60	0.92	11/5.5	20	24	72				
		CP10-510				2.0						
	200-240	CP10-450				20						
		CP10-550				2.0						
Three 三相 Δ-Y	200-240 / 380-440	CP10-420			60	1.50			2.4/1.4	20	48	74
		CP10-520								2		
		CP20-420							0.5	76		
		CP20-620										
		CP30-620	20									
		CP40-620										
CP40-420	3.45	13.1-12.2/6.8-6.7	20	120	76							
CP40-620			0.5									

Remark 1. Inlet flange Pressure
Remark 2. dB(A) value gets from 4 points & 1 meter distance test.

型號編碼

高壓鼓風機/REGENERATIVE/SIDE CHANNEL RING BLOWERS

產品系列 Product Code **RB 40 -- 5 2 0**
 機種大小 Blower Size
 Number:20,30,40,50,60,80

輸出規格代號 Output Specification
 Number:4,5,6

電源電壓代號 Voltage Specification
 Single Phase: 1=100-120/200-240V 50/60 Hz, 9=108-127/208-254V 50/60 Hz
 108-120/216-240V 50/60Hz UL/CSA
 Three Phase: 2=208-240/380-440V 50/60Hz
 3=208-240/416-480V 50/60Hz UL/CSA
 B=200-240/345-416V 50Hz, 208-275/380-480V 60Hz

特殊型式代號 Type Index
 O=Standard Type
 U=UL/CSA Type
 I=CE/Standard Type+120°C Temperature control switch

迴油式真空泵浦/ROTARY VANE VACUUM PUMP

產品系列 Product Code **CP 10 -- 5 2 0**
 機種大小 Pump Size
 Number:10, 20

終極壓力 Ultimate Pressure
 Number:4=20mbar 5=2mbar 6=0.5mbar

電源電壓代號 Voltage Specification
 Single Phase: 1=100-120/200-240V 50/60Hz
 5=200-240V 50/60Hz
 Three Phase: 2=200-240/380-440V 50/60Hz

特殊型式代號 Type Index
 0=CE/Standard Type

The Catalogue only for reference、without notice if specification changed./ 目錄祇供參考，規格變更不另行通知。

標準捆包尺寸/ Standard Packing

機型 MODEL	樣機/SAMPLE			建議訂單/SUGGESTED ORDER		
	PACKAGE UNIT	DIMENSIONS(cm)	Wt.(Kgs)	PACKAGE UNIT	DIMENSIONS(cm)	Wt.(Kgs)
RB 20-	1 pc/wooden case	30.5X27.0X28.0	12	60pcs/pallet	93x111x152	731
RB 30-	1 pc/wooden case	37.0X36.0X35.5	15	36pcs/pallet	113x111x154	552
RB 40-	1 pc/wooden case	38.0x36.5x39.0	20	24pcs/pallet	79x111x168	490
RB 50-	1 pc/wooden case	42.5x40.5x42.0	29	24pcs/pallet	88x124x180	696
RB 60-	1 pc/wooden case	47.0x47.0x50.5	44	18pcs/pallet	96x144x164	806
RB 80-	1 pc/wooden case	80.0x62.0x70.0	123	1pcs/pallet	80x62x70	123